



Canopy Cover

Installation Instructions

For: Jeep Wrangler JK (4 Door)
2007 to current
Part Number: 41731



DO NOT INSTALL THIS PRODUCT ON ANY VEHICLE OTHER THAN THOSE LISTED ABOVE.
This product is only designed for the vehicles listed above. Failure to install this product on the proper vehicle could cause injury to the vehicle occupants and damage to the product.

Installation Tips

Before you begin installing this assembly, read all instructions thoroughly.

For a smooth fit:

For ease in installation, the product should be installed at temperatures above 72° F. Below this temperature, the fabric may contract an inch or more, making it difficult to fit to the vehicle. It is normal for fabric to contract and wrinkle when stored in the shipping carton. Within a few days after the installation, the fabric will relax and the wrinkles will disappear.



WARNING

This product is designed to enhance the appearance of the vehicle. Do not rely in any way on the components of this product to contain occupants within the vehicle, or to protect against injury or death in the event of an accident. Never operate vehicle in excess of manufacturer's specifications.

WEAR SEAT BELTS AT ALL TIMES

Read and follow, precisely, all installation instructions provided when installing this product. Failure to do so could place occupants of the vehicle in a potentially dangerous situation. After installing or reinstalling, check to make sure it has been properly installed.

Table of Contents

PARTS LIST	PAGE 2
TOOLS NEEDED	PAGE 2
INSTALLATION	PAGE 2
WARRANTY	PAGE 4



CAUTION

Safety glasses should be worn at all times while installing this product.

Parts List

Canopy Cover	Qty - 1
Stuff Sack	Qty - 1

Step One

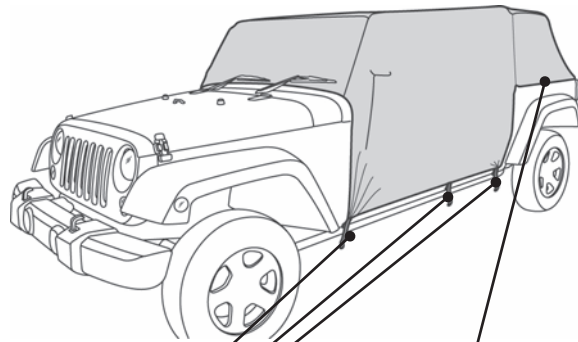
PREPARING THE VEHICLE

- Make certain that the vehicle engine and all lights are turned off.
- Set the Emergency (Parking) Brake.
- Remove all personal possessions from the vehicle

Step Two

PLACE CANOPY COVER ON VEHICLE

Drape the Canopy Cover over the vehicle orienting the Canopy correctly with the side mirror darts over the side mirrors on the doors.



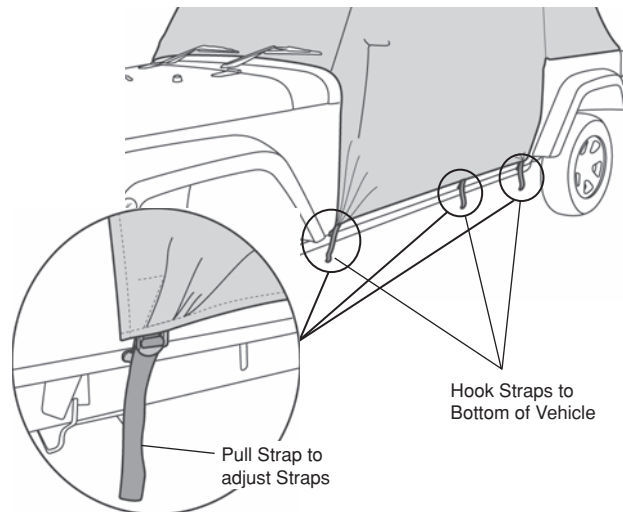
Step Three

SECURE SIDE STRAPS

Locate the three adjustable straps sewn on each side of the Canopy Cover. Pull the straps down and hook them to the bottom of the vehicle.

Make sure that the fabric flap inside the cover lays flat behind the lower grommet.

Pull the end of each strap to tighten the straps so that the cover fits snugly on the vehicle.

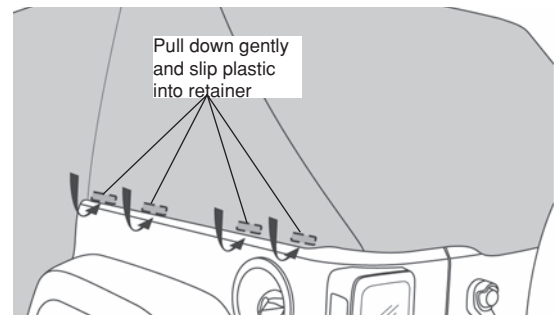


Step Four

SECURE PLASTIC STRIPS – SOFT TOP VEHICLES ONLY

There are four (4) plastic strips sewn to each side of the Canopy Cover. Slip them into the belt rail retainer on the side of the vehicle.

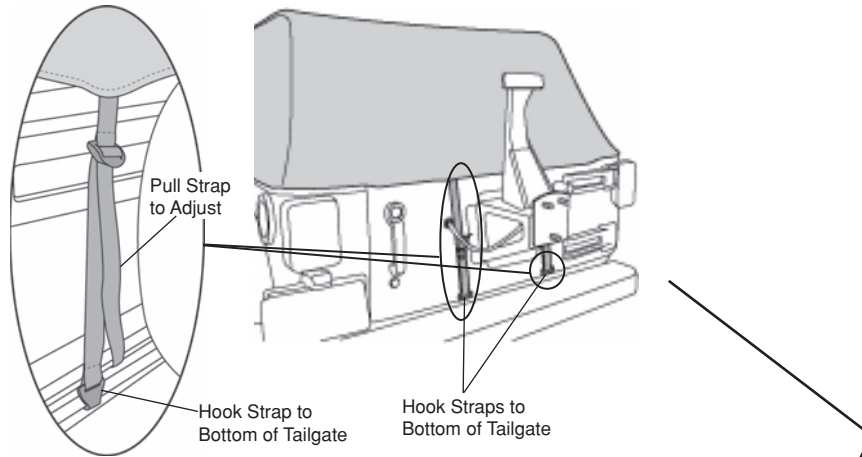
NOTE If you have a Cargo Cover installed on your vehicle, use only the adjustable straps to hold the Canopy Cover in place.



Step Five

SECURE REAR OF COVER

Locate the two adjustable straps sewn on the rear of the Canopy Cover. Pull the straps down and hook them to the bottom of the tailgate. Adjust the tension as needed.

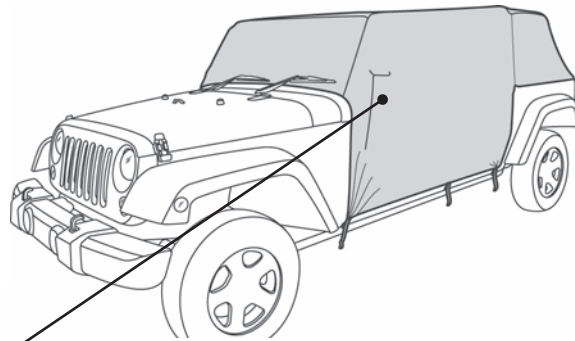
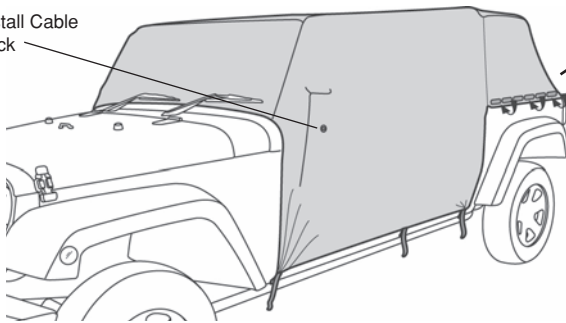


Step Six – Optional

INSTALL CABLE LOCK

The grommet on each side of the vehicle is to secure the cover to the vehicle. Thread a cable and lock through the grommet and through the mirror to secure the cover.

Install Cable Lock



Care and Maintenance of your New Canopy Cover

Your Canopy Cover is made of the finest materials available. To keep it looking new and for the maximum possible wear, it will need periodic cleaning and maintenance.

Washing: The fabric should be washed often using soap, warm water and a soft bristle brush. Rinse with clear water to remove all traces of soap.

Water: Seeping through at the seams may be stopped by applying 3-M Scotchgard® on the inside of the seams. Rips in the fabric may be repaired with Bondex® iron on patches. Iron the patches to the Inside of the top, carefully following the Bondex® instructions.

LIMITED WARRANTY

We warrant our product to be free from defects in material and workmanship, for terms specified below, provided there has been normal use and proper maintenance. This warranty applies to the original purchaser only. All remedies under this warranty are limited to the repair or replacement of any item or items found by the factory to be defective within the time period specified.

If you have a warranty claim, first you must call our factory at the number below for instructions. You must retain proof of purchase and submit a copy with any items returned for warranty work. Upon completion of warranty work, if any, we will return the repaired or replaced item or items to you freight prepaid. Damage to our products caused by accidents, fire, vandalism, negligence, misinstallation, misuse, Acts of God, or by defective parts not manufactured by us, is not covered under this warranty.

THE WARRANTY TIME PERIOD IS AS FOLLOWS: ALL "GOODS" MANUFACTURED BY OUR COMPANY: ONE YEAR FROM DATE OF PURCHASE.

ANY IMPLIED WARRANTIES OF MERCHANTABILITY AND/OR FITNESS FOR A PARTICULAR PURPOSE CREATED HEREBY ARE LIMITED IN DURATION TO THE SAME DURATION AND SCOPE AS THE EXPRESS WRITTEN WARRANTY. OUR COMPANY SHALL NOT BE LIABLE FOR ANY INCIDENTAL OR CONSEQUENTIAL DAMAGE.

Some states do not allow limitations on how long an implied warranty lasts, or the exclusion or limitation of incidental or consequential damages, so the above limitations or exclusions may not apply to you.

This warranty gives you specific legal rights, and you may also have other rights which vary from state to state.

For further information, please contact:

Customer Service
877-638-9509

All or a portion of this product may have been made in China.