



Cargo Cover Installation Instructions

For: Wrangler 1997 - 2002

Part Number: 41825

Note: This kit is designed to be installed on vehicles equipped with a Production Soft Top Only.

WARNING

This product is designed to enhance the appearance of the vehicle and to shield the occupants from ordinary weather conditions. Do not rely in any way on the components of this product to contain occupants within the vehicle, or to protect against injury or death in the event of an accident. This top will not protect the occupants from falling objects. Never operate vehicle in excess of manufacturer's specifications.

WEAR SEAT BELTS AT ALL TIMES

Read and follow, precisely, all installation instructions provided when installing top. Failure to do so may result in a poor fitting top and could place occupants of the vehicle in a potentially dangerous situation. After installing or reinstalling the top, check to make sure it has been properly installed.

Installation Tips

After completing the installation, keep these instructions for future reference. Before you begin installing this Cargo Cover, read all instructions thoroughly. Below are a few tips to make this installation easier.

For a smooth fit:

For ease in installation, this product should be installed at temperatures above 72° F. Below this temperature, the fabric may contract an inch or more, making it difficult to fit to the vehicle.

It is normal for the fabric to contract and wrinkle when stored in the shipping carton. Within a few days after the installation, the fabric will relax and the wrinkles will disappear.

Parts Kit

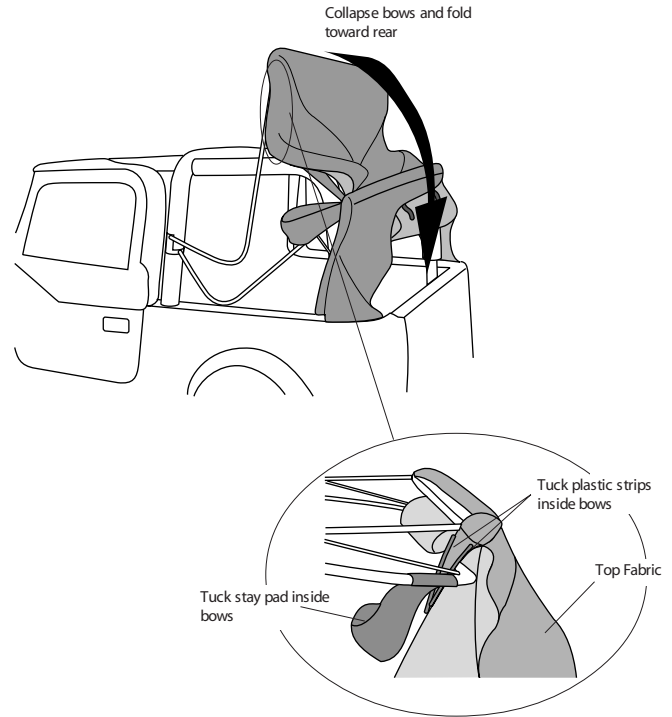
Cargo Cover

Qty - 1

Note: This product is designed for a "Custom Fit". Be patient during the installation, it fits tight!

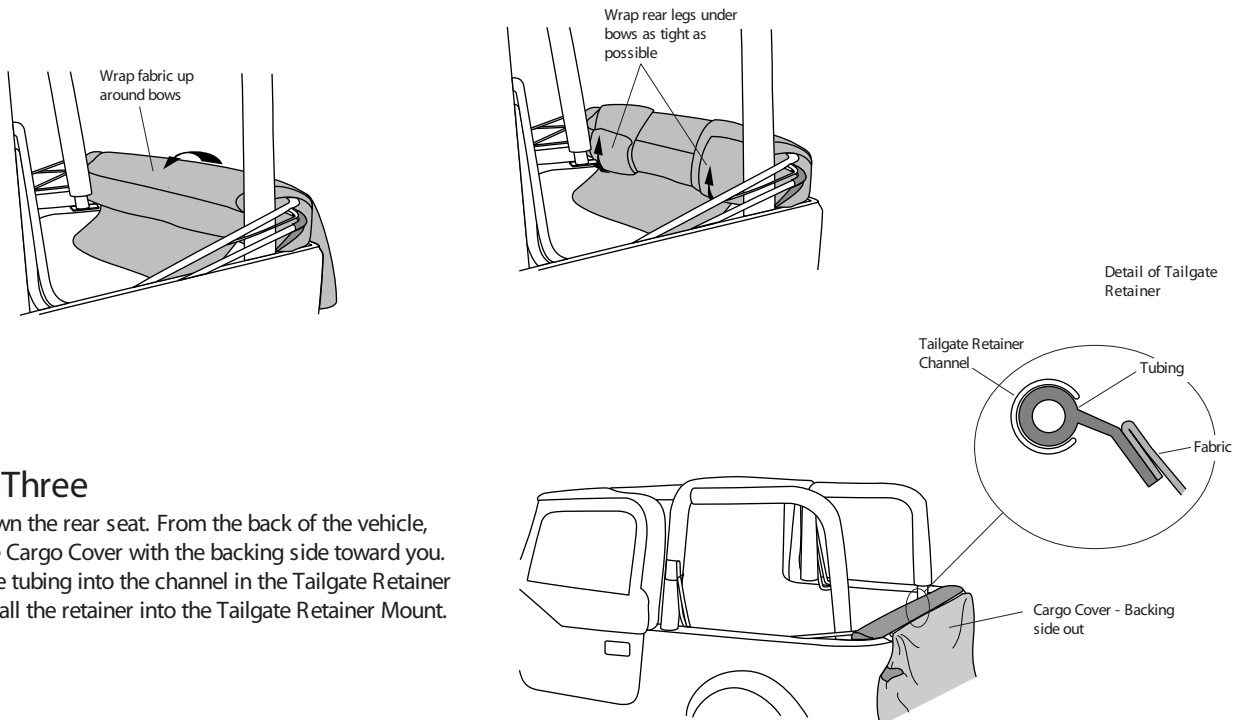
Step One

Unzip and remove the Side Panels and Rear Window from the top. Remove the Tailgate Retainer from the Rear Window. Cover the "glass" in the Side Panels and the Rear Window and store them while not in use. Release the front of the top from the windshield. Raise the front of the deck and collapse the rear bows, tucking the two plastic strips above the door openings and the stay pad on the rear bow inside of the bows,



Step Two

Lay the bows down along the rear of the vehicle. Wrap the fold of fabric from the rear of the vehicle up around the bows. Then tuck the rear legs of the top under the bows and wrap them around the deck fabric as tight as possible. Tuck the fabric and bows down into the tub as far as possible.

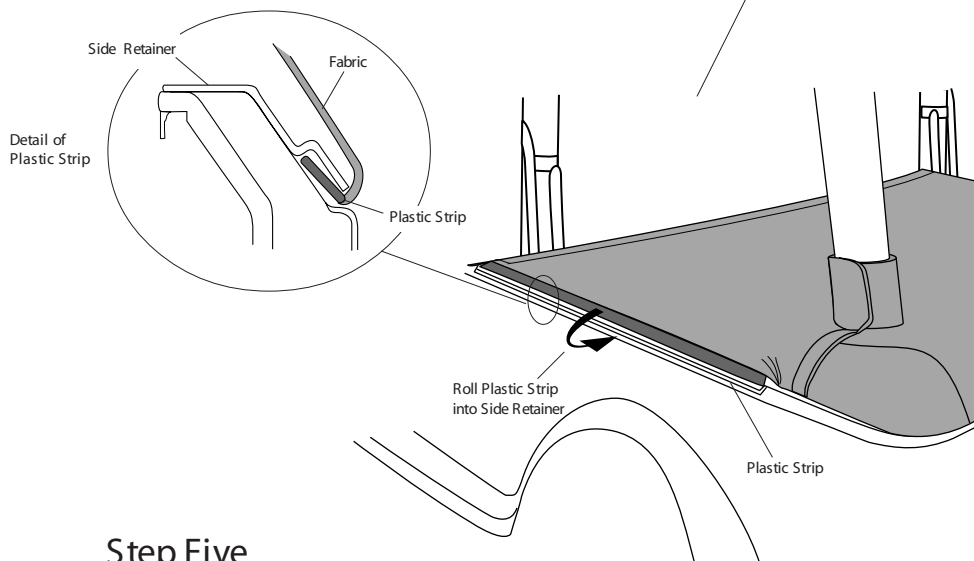
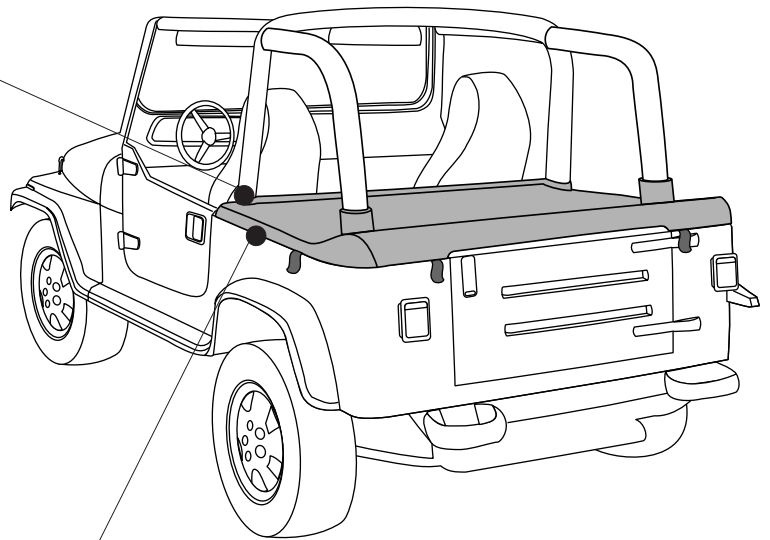
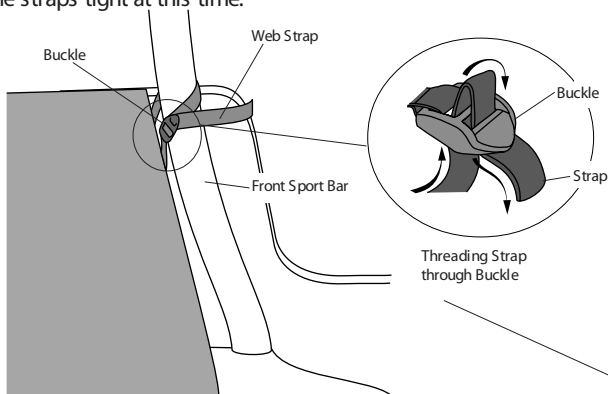


Step Three

Fold down the rear seat. From the back of the vehicle, hold the Cargo Cover with the backing side toward you. Slide the tubing into the channel in the Tailgate Retainer and install the retainer into the Tailgate Retainer Mount.

Step Four

Drape the fabric forward over the rear of the vehicle and locate the web straps, with buckles attached, on the front of the Cargo Cover. Wrap the straps around the front sport bars and thread the ends loosely through the buckles. Do not pull the straps tight at this time.

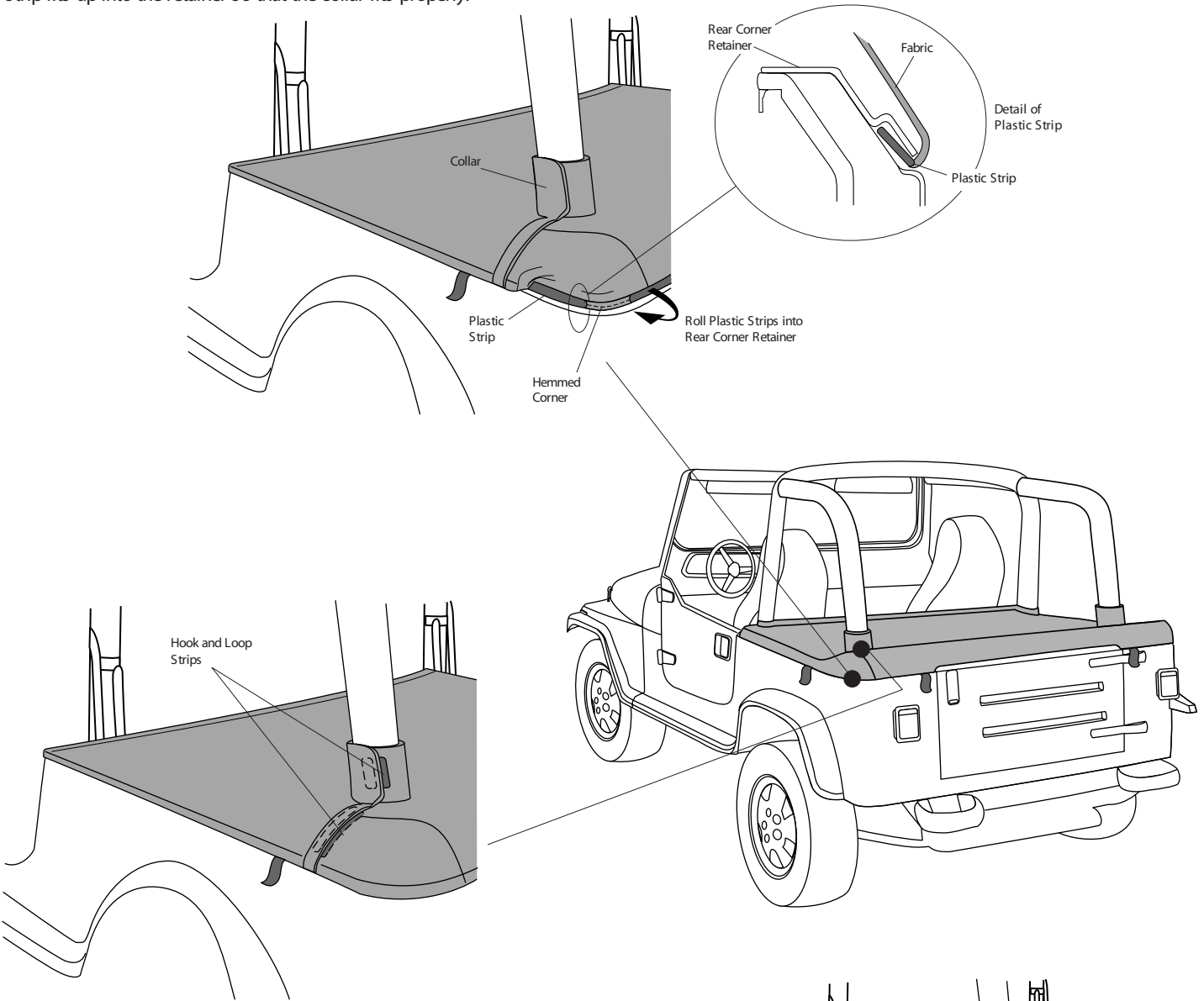


Step Five

Locate the plastic strip sewn to the Cargo Cover along each side of the vehicle. Start at one end on each side and roll the plastic strip into the Side Retainers.

Step Six

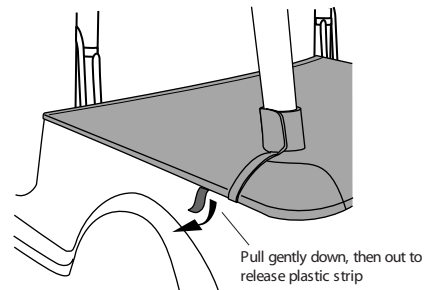
Roll the plastic strips, sewn into the rear corners of the Cargo Cover into the Corner Retainers. Smooth the hemmed corner area of the Cargo Cover over retainer by sliding the strips towards the front and rear. Make sure the plastic strip fits up into the retainer so that the collar fits properly.



Step Seven

Tuck the seat belt assemblies into the rear sport bar collars and close the rear sport bar collars by pulling firmly on the fabric and fastening the Hook and Loop Strips to each other.

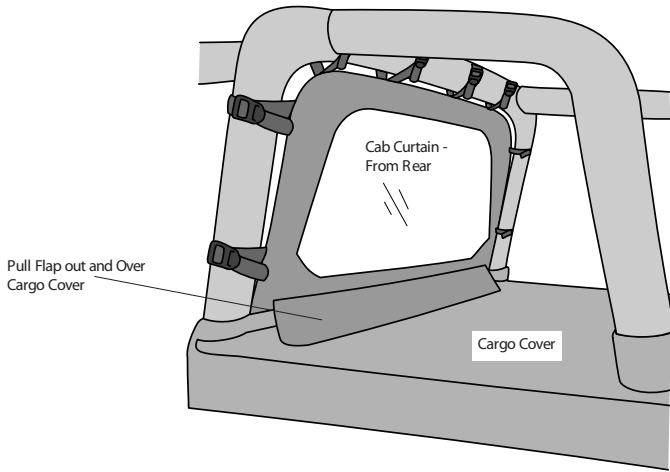
Tighten the straps on the front of the Cargo Cover.



To Remove Cargo Cover

When removing the Cargo Cover, use the loops sewn to the fabric to release the plastic strips. Pull gently down, then straight out to release the plastic strip from the retainers.

If You Have a New Cab Curtain on Your Vehicle



Step One

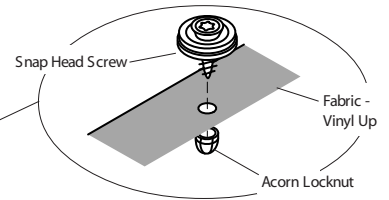
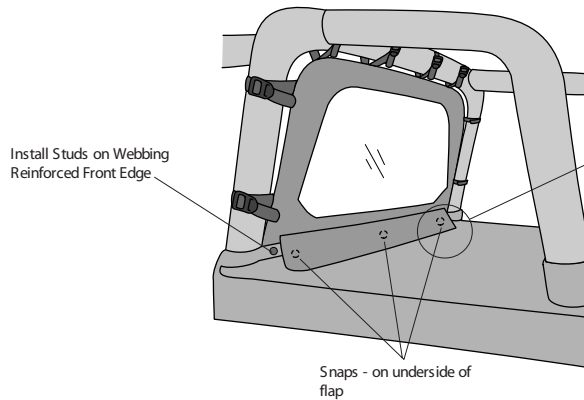
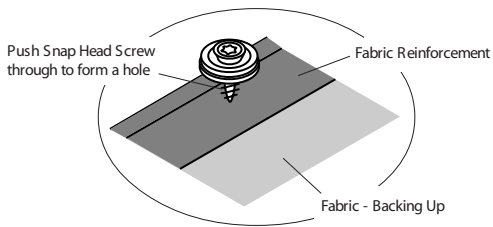
Locate Attaching Snaps from Hardware Kit supplied with the Cab Curtain.

Step Two

Locate the flap sewn to the rear of the Cab Curtain. Pull the flap out over the top of the front edge of the Cargo Cover.

Step Three - Optional

Pull up on the front, edge of the Cargo Cover and mark the locations matching the three snaps on the Cab Curtain flap, on the fabric along the top of the Cargo Cover.



Step Four - Optional

At the marked locations, push the sharp end of a Snap Head Screw through the Cargo Cover from the vinyl side so that the snap is on top of the vinyl. Thread an Acorn Locknut over the pointed end of the Snap Head Screw. Snap the Cargo Cover and the Cab Curtain together with the three snaps.

LIMITED WARRANTY

We warrant our product to be free from defects in material and workmanship, for the terms specified below, provided there has been normal use and proper maintenance. This warranty applies to the original purchaser only. All remedies under this warranty are limited to the repair or replacement of any item or items found by the factory to be defective within the time period specified.

If you have a warranty claim, first you must call our factory at the number below for instructions. You must retain proof of purchase and submit a copy with any items returned for warranty work. Upon completion of warranty work, if any, we will return the repaired or replaced item or items to you freight prepaid. Damage to our products caused by accidents, fire, vandalism, negligence, misinstallation, misuse, Acts of God, or by defective parts not manufactured by us, is not covered under this warranty.

THE WARRANTY TIME PERIOD IS AS FOLLOWS: ALL "SOFT GOODS" MANUFACTURED BY OUR COMPANY (USING PRIMARILY VINYL, PLASTICS, AND/OR FOAM): ONE YEAR FROM DATE OF PURCHASE.

ANY IMPLIED WARRANTIES OF MERCHANTABILITY AND/OR FITNESS FOR A PARTICULAR PURPOSE CREATED HEREBY ARE LIMITED IN DURATION TO THE SAME DURATION AND SCOPE AS THE EXPRESS WRITTEN WARRANTY. OUR COMPANY SHALL NOT BE LIABLE FOR ANY INCIDENTAL OR CONSEQUENTIAL DAMAGE.

Some states do not allow limitations on how long an implied warranty lasts, or the exclusion or limitation of incidental or consequential damages, so the above limitations or exclusions may not apply to you.

This warranty gives you specific legal rights, and you may also have other rights which vary from state to state.

For further information or request for warranty work, please contact: Customer Service
877-638-9509

*All or a portion of this product may have been produced in China

