



# Replay Top with Tinted Side and Rear Windows and Upper Door Skins

## Installation Instructions

For: Jeep Wrangler (YJ)

1988 – 1995

**Part Number: 51132**



### Installation Tips

Before you begin installing this assembly, read all instructions thoroughly.

#### For a smooth fit:

For ease in installation, the product should be installed at temperatures above 72° F. Below this temperature, the fabric may contract an inch or more, making it difficult to fit to the vehicle. It is normal for fabric to contract and wrinkle when stored in the shipping carton. Within a few days after the installation, the fabric will relax and the wrinkles will disappear.



## WARNING

This product is designed to enhance the appearance of the vehicle. Do not rely in any way on the components of this product to contain occupants within the vehicle, or to protect against injury or death in the event of an accident. Never operate vehicle in excess of manufacturer's specifications.

### WEAR SEAT BELTS AT ALL TIMES

Read and follow, precisely, all installation instructions provided when installing this product. Failure to do so could place occupants of the vehicle in a potentially dangerous situation. After installing or reinstalling, check to make sure it has been properly installed.

## Table of Contents

REPLAY TOP PARTS LIST.....	PAGE 2
REPLAY TOP TOOLS NEEDED .....	PAGE 2
REPLAY TOP INSTALLATION.....	PAGE 2
REPLAY TOP WARRANTY .....	PAGE 9



## CAUTION

Safety glasses should be worn at all times while installing this product.

## Parts List

Fabric Top	Qty - 1
Side Curtain, Right	Qty - 1
Side Curtain, Left	Qty - 1
Rear Curtain	Qty - 1
Door Cover, Right	Qty - 1
Door Cover, Left	Qty - 1

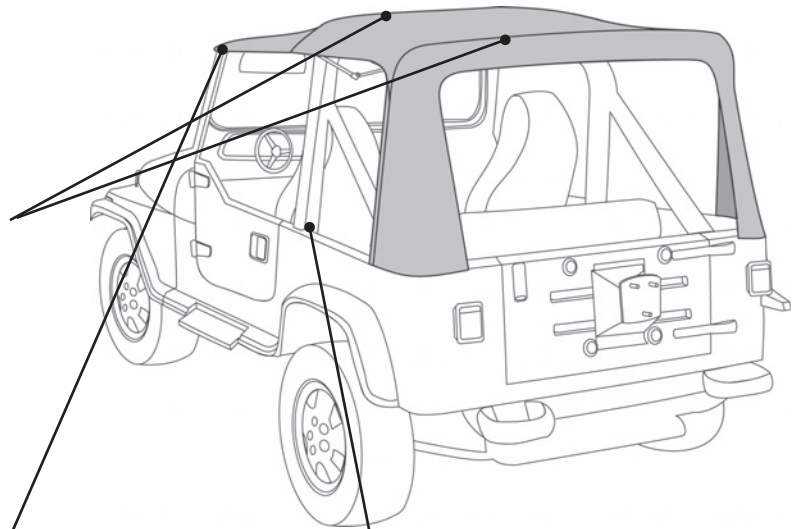
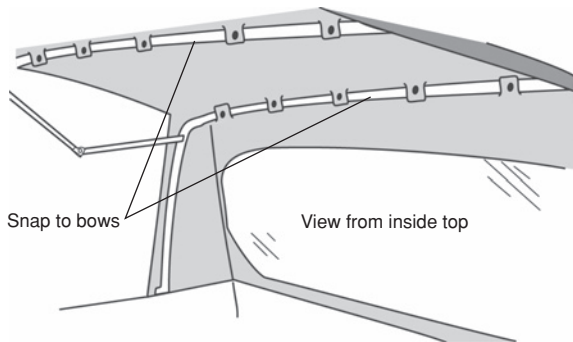
### NOTE

Before beginning this installation, remove the old top and make sure all hardware is in place and that the Drip Rails are locked into the Windshield Frame.

## Step One

### PLACE TOP ON VEHICLE

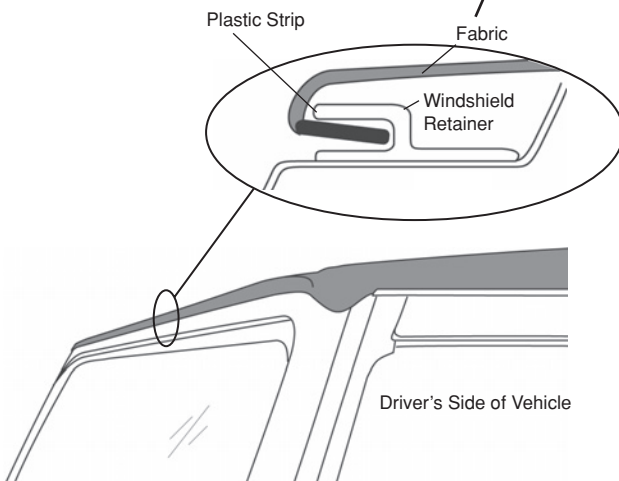
Locate the top and orient it on the vehicle. Snap it to the bows.



## Step Two

### INSTALL TOP IN WINDSHIELD RETAINER

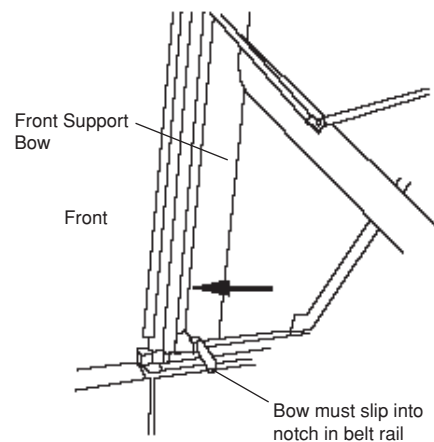
Insert front of top into windshield retainer.



## Step Three

### SECURE FRONT BOW

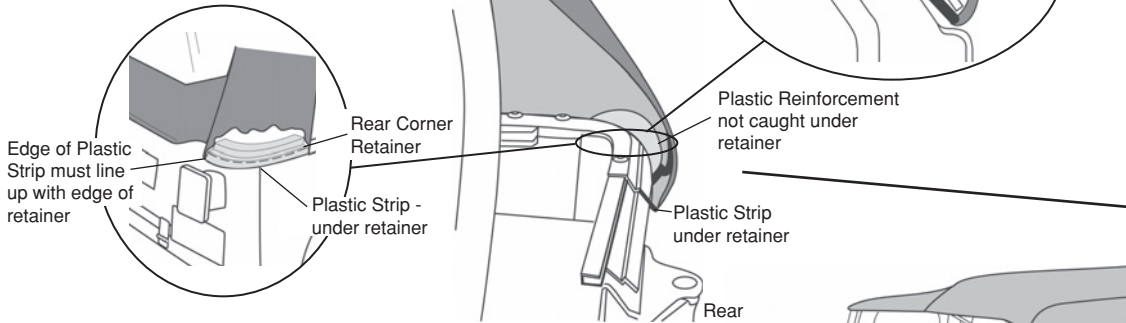
Push front support bow all the way forward into the notch.



## Step Four

### INSTALL REAR CORNER

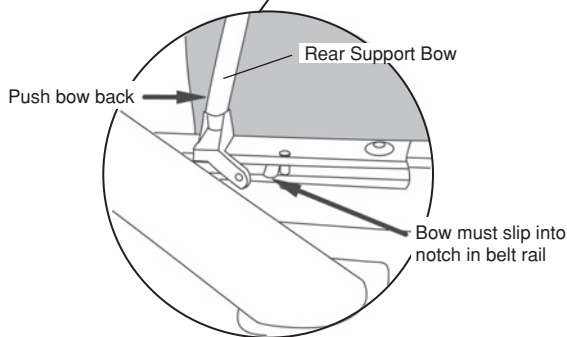
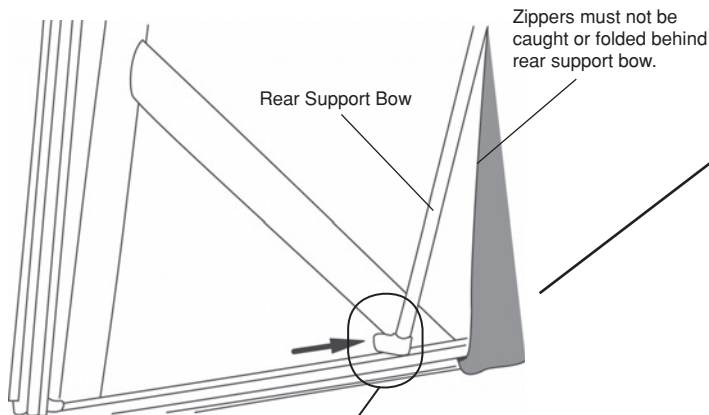
Insert rear corners of top into rear corner retainer.



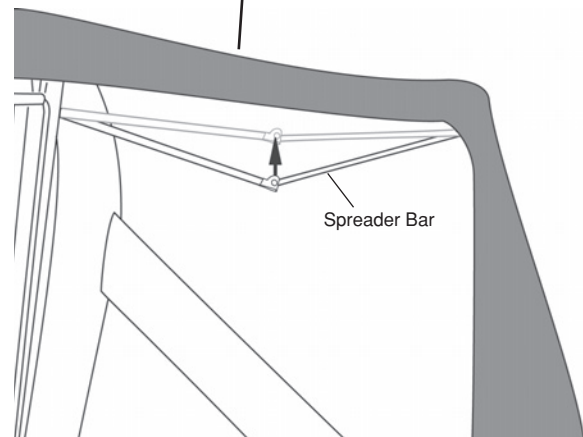
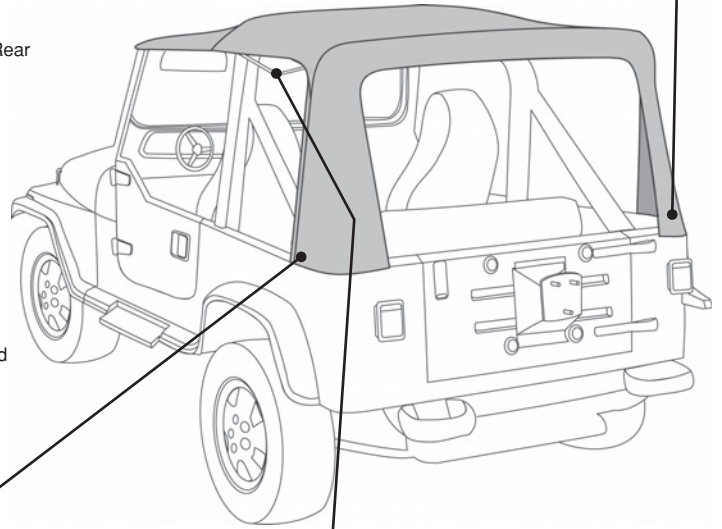
## Step Five

### SECURE REAR BOW

Pull the bottom of the rear support bow back until it snaps into the notch in the side rail.



View from inside vehicle



## Step Six

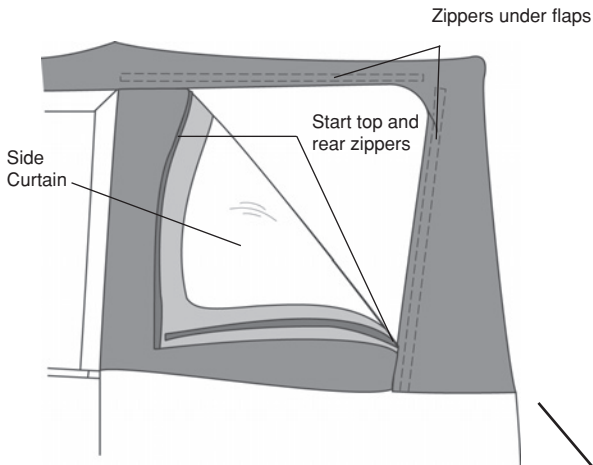
### LOCK SPREADER BARS

Push the spreader bars up until they snap into place.

## Step Seven

### START ZIPPERS

Start the zippers 2-3 inches on the top and rear of the side curtain.

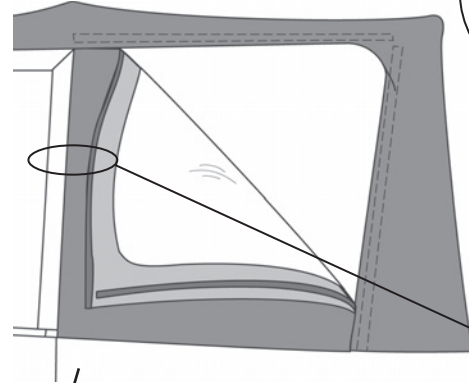
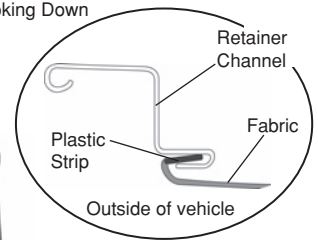


## Step Eight

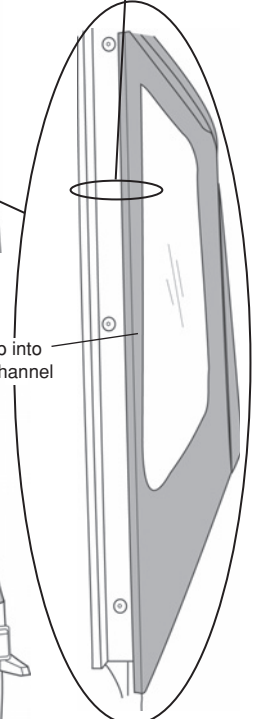
### SECURE FRONT OF SIDE CURTAIN

Pop the plastic strip on the front of the side curtain into the retainer channel on the front support bow.

Cross Section View  
Looking Down



Plastic Strip into  
Retainer Channel

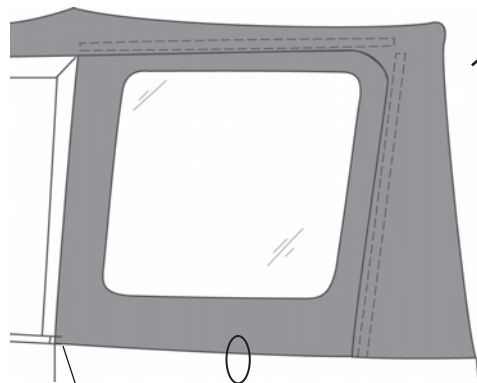


View of Side Curtain  
from Front

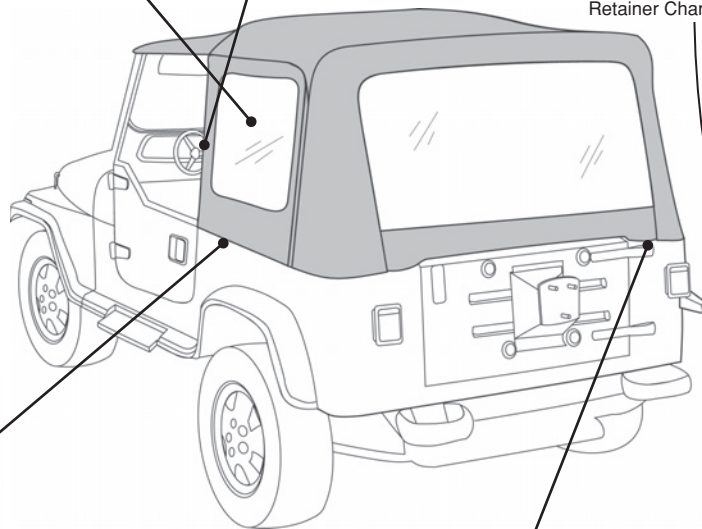
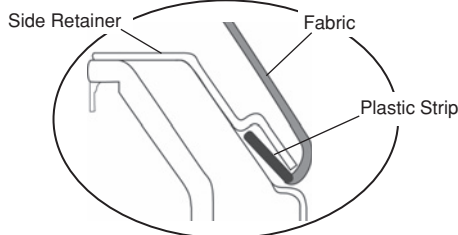
## Step Nine

### SECURE PLASTIC STRIP

Slip the plastic strip on the bottom of the side curtain into the side retainer. Close the top and rear zippers on the side curtain.



Start at one end of the strip and work along it to the other end.



Slip Plastic Strip into Tailgate Retainer

Tailgate must be open

Rear Curtain

Tailgate Retainer

Rear Curtain Retainer

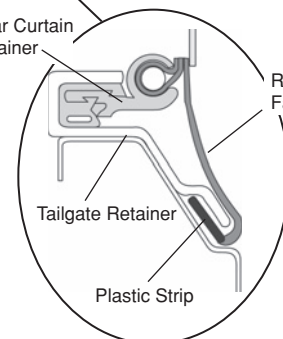
Slide Rear Curtain Retainer onto Rear Curtain. Push Rear Curtain Retainer into top of Tailgate Retainer.

## Step Ten

### INSTALL TAILGATE RETAINER

Open the tailgate. Slide the rear curtain retainer onto the bottom of the rear curtain. Close the rear curtain zippers. Push the rear curtain retainer into the top of the tailgate retainer. Slip the plastic on the bottom of the corners under the bottom of the tailgate retainer.

Rear Curtain Retainer

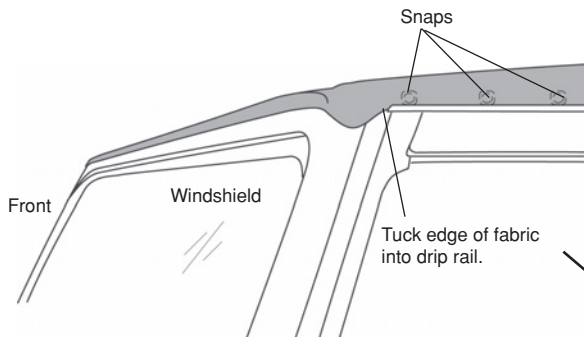


Rear Curtain Fabric

## Step Eleven

### SNAP TOP

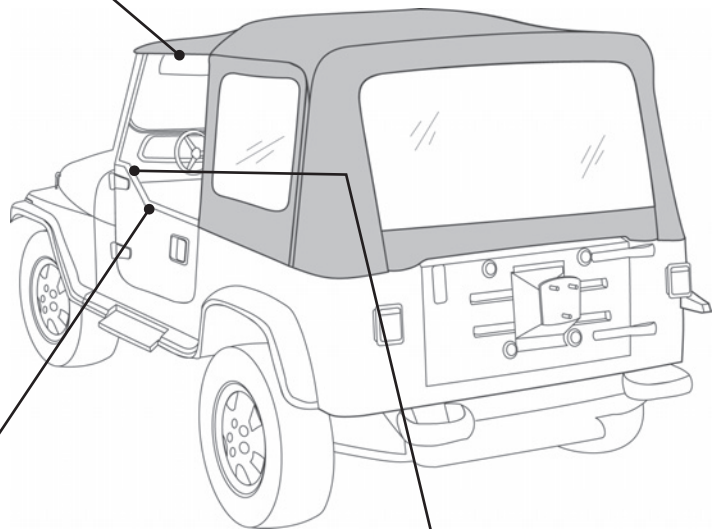
Fasten snaps on top, above doors, to studs on vehicle. Studs will slide to match location of snaps on top.



## Step Twelve

### REMOVE OLD DOOR COVERS

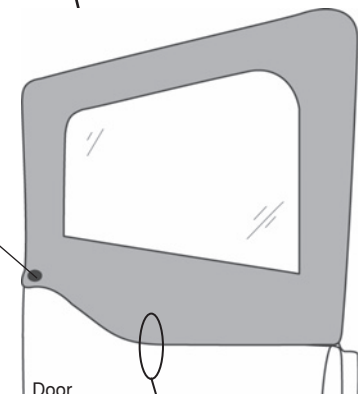
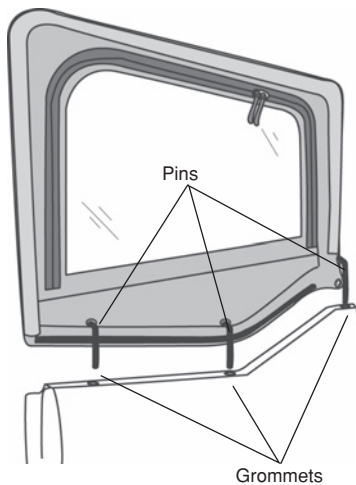
Unfasten the plastic retainer at the bottom of the fabric door and remove it from the vehicle. Use a razor knife to cut the stitches on the old door covers and remove them from the door frames.



## Step Thirteen

### INSTALL DOOR COVERS ON FRAME

Separate the hook and loop fasteners on the door covers and slide the new cover onto the frame, starting at the top. Work from corner to corner, wrapping the fabric around the frame and fastening the hook to the loop as you work around the door.



## Step Fourteen

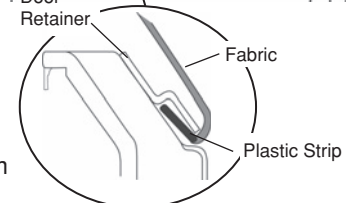
### REINSTALL DOORS ON VEHICLE

Reinstall the upper doors. Insert the pins into the grommets in the lower door.

## Step Fifteen

### SECURE UPPER DOORS

Fasten the snap at front of upper door. Slip plastic strip on the bottom of the soft door into the retainer on the steel door.



## Care and Maintenance of your New Top

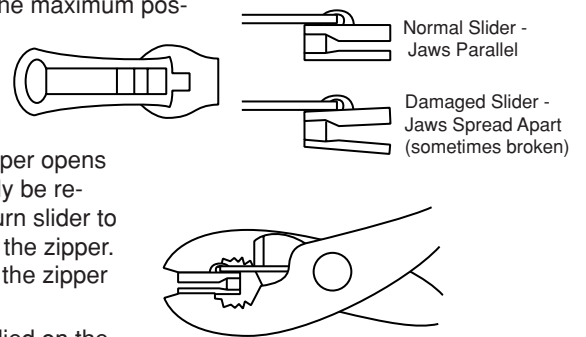
Your top is made of the finest materials available. To keep it looking new and for the maximum possible wear, it will need periodic cleaning and maintenance.

**Washing:** The fabric should be washed often using soap, warm water and a soft bristle brush. Rinse with clear water to remove all traces of soap.

**Zippers:** Keeping the zipper cleaned and lubricated with a silicone lubricant will help prevent damage and keep the zippers in a smooth working condition. If a zipper opens behind the slider, the slider may have been spread apart. This problem can usually be repaired by using an ordinary pair of pliers to bring the sides back into parallel. Return slider to the end of the zipper in the normal Open position. Squeeze lightly at first and test the zipper. If the zipper continues to remain open squeeze more firmly with the pliers and try the zipper again. Repeat this procedure until the zipper operates correctly.

**Water:** In the event of seeping through the seams, 3M Scotchgard® may be applied on the inside of the seams to stop the seepage. Rips in the fabric may be repaired with Bondex® iron on patches. Iron the patches to the Inside of the top, carefully following the Bondex® instructions.

**Snaps:** Keep snaps cleaned and lubricated with silicone to help prevent snaps from sticking to the studs. If a snap does become stuck to a stud, use a screwdriver and GENTLY pry apart to prevent permanent damage to the snap or the top fabric.



---

### LIMITED WARRANTY

We warrant our product to be free from defects in material and workmanship, for terms specified below, provided there has been normal use and proper maintenance. This warranty applies to the original purchaser only. All remedies under this warranty are limited to the repair or replacement of any item or items found by the factory to be defective within the time period specified.

If you have a warranty claim, first you must call our factory at the number below for instructions. You must retain proof of purchase and submit a copy with any items returned for warranty work. Upon completion of warranty work, if any, we will return the repaired or replaced item or items to you freight prepaid. Damage to our products caused by accidents, fire, vandalism, negligence, misinstallation, misuse, Acts of God, or by defective parts not manufactured by us, is not covered under this warranty.

THE WARRANTY TIME PERIOD IS AS FOLLOWS: ALL "GOODS" MANUFACTURED BY OUR COMPANY: ONE YEAR FROM DATE OF PURCHASE.

ANY IMPLIED WARRANTIES OF MERCHANTABILITY AND/OR FITNESS FOR A PARTICULAR PURPOSE CREATED HEREBY ARE LIMITED IN DURATION TO THE SAME DURATION AND SCOPE AS THE EXPRESS WRITTEN WARRANTY. OUR COMPANY SHALL NOT BE LIABLE FOR ANY INCIDENTAL OR CONSEQUENTIAL DAMAGE.

Some states do not allow limitations on how long an implied warranty lasts, or the exclusion or limitation of incidental or consequential damages, so the above limitations or exclusions may not apply to you.

This warranty gives you specific legal rights, and you may also have other rights which vary from state to state.

For further information, please contact:

Customer Service  
877-638-9509

All or a portion of this product may have been made in China.